



Ordos Technologies

EMC & Safety Test Laboratory

Test Report No. Y5SMS318

FOR:

Company Name : Smart&Safe®

Equipment Under Test: MommySafe™.

November 2015

Total number of pages (including this page): 9

Table of Contents.

	Description	Page
1.	<u>General Information</u>	3
2.	<u>EUT. Performance Verification</u>	4
2.1.	<u>Product Description</u>	4
2.2.	<u>Tested Configuration</u>	4
2.3.	<u>List of Equipment used in the tests</u>	5
3.	<u>The global proliferation of wireless radiation is accelerating at an alarming speed</u>	5
4.	<u>MommySafe™ Radiation attenuation test procedure</u>	6
5.	<u>Test procedure pictures</u>	6
6.	<u>Description of the Test Site</u>	7
7.	<u>List of Equipment used in Test</u>	7
8.	<u>Test results</u>	8
9.	<u>Conclusion</u>	9

1. General Information.

Applicant:	Smart&Safe®
Applicant Address:	Yohanan HaSandlar 2, kfra saba Israel
Telephone:	073-7366747
E-mail:	Sales@smart-safe.com
The testing was observed by the following applicant's personnel:	Mr. Omer Wax
Dates of testing:	November 2015
Test Laboratory Location:	SaYdos Ltd / ORDOS Technologies, 10 Zarhin St. Ra'anana Israel, P.O.B 2212
E-Mail:	info@ordos.co.il
Web:	www.ordos.co.il
Equipment Under Test (EUT):	MommySafe™
P/N:	MMS

2. EUT. Performance Verification

2.1. Product Description.

Protect your baby during pregnancy from everyday radiation while enjoying a high quality belly band. Smart & Safe MommySafe keeps your baby safe, complements your figure, is silky soft, comfortable to wear, anti-bacterial, air penetrable, and water resistant.

Smart & Safe MommySafe provides your baby maximum protection:

Reduces radiation by up to 100%

FCC certified laboratories tested and proven

So treat your baby and you to the high quality and safe Belly Band you deserve.

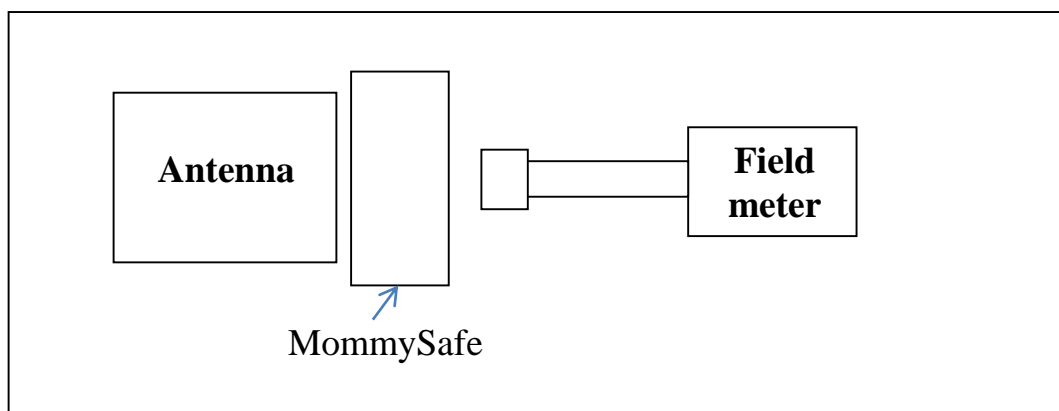
How does it work?

The inner layer of the product is 100% Polyamide, successfully blocking radiation. The outer layer is 97% Modal Fabric, a semi-synthetic cellulose fiber, 3% polyester.

Specifications

- Reduces radiation by up to 100%
- FCC Certified Laboratories tested and proven
- Complementing you figure
- Comfortable to wear
- Silky soft
- Anti-bacterial
- Air penetrable
- Water resistant
- A contemporary and organic design
- Available in various sizes (S-XL)
- Available in colors black and white
- Eco-friendly recyclable packaging

2.2. Tested Configuration.



2.3. List of Equipment used in the tests

No	Description	Model	PN	Manufactured by:
Unit Under Test				
1.	EUT	MommySafe™	MMS	Smart&Safe®

3. The global proliferation of wireless radiation is accelerating at an alarming speed.

There are growing evidences of health risks from exposure.

Every second of the day, we're constantly bombarded with electromagnetic waves such as those emitted from overhead cables, mobile phones, Laptop ovens, wireless devices, computers exc. The list is endless.

Hardly a month goes by these days without a new study revealing that smart phones are either A) ruining your life, or B) not. The scientific debate is heated, and far from resolved, but one thing is clear: by surrounding yourself with wireless devices with no protection, you may actually be playing Russian roulette with your life.

Every year 10,000 new cases of Glioma are diagnosed in the USA and heavy cell phone users show a 40% increased risk of developing that tumor.

Children are much more susceptible to EMF radiation Research shows that radiation penetrates more deeply into a child's head due to their thinner skulls. In fact, it was found that a child's growing body may absorb up to 10 times the radiation an adult's body absorbs.

Pregnant women are at greater risk - exposure to electromagnetic fields in uterus is correlated with health problems such as ADHD, emotional problems, asthma, obesity and possibly Autism Spectrum Disorders.

So as males who are interested in having kids sometime - Research has shown that cell phone radiation-exposed human sperm die three times faster, swim significantly more poorly, become more deformed, and develop significantly more damage to their DNA.

Countries around the world, as well as the European Parliament, are starting to set stricter EMF safety limits and advising limits and advise limiting radiation exposure for children, pregnant women, the elderly and people with compromised immune systems.

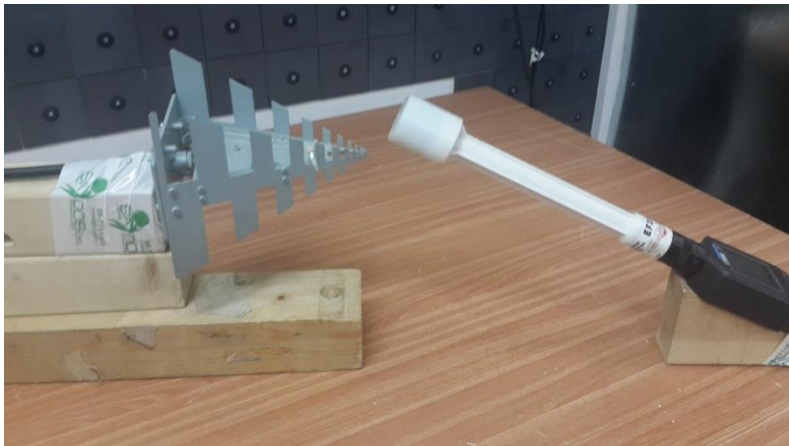
4. MommySafe™ Radiation attenuation test procedure

The procedure was determined in accordance with client request

- 4.1. Establishing test frequencies, in accordance with the MommySafe™ purpose.
- 4.2. Measure Electro-magnetic field strength in each test frequency.
- 4.3. Measure Electro-magnetic field density in each test frequency.
- 4.4. Placing the MommySafe™ on its intended place.
- 4.5. Measure Electro-magnetic field strength in each test frequency.
- 4.6. Measure Electro-magnetic field density in each test frequency.

5. Test procedure pictures

5.1. Pic #1 – test without the MommySafe™



5.2. Pic #2 – test with The MommySafe™



6. Description of the Test Site.

Location:		10 Zarchin St. Ra'anana
Phone:		(972)-9-7711018
Fax:		(972)-9-7711019
E-Mail:		info@ordos.co.il
Open Site Ranges:		3 and 10 meter
Turntable:		2.1 x 1.6 meter with maximum loading 1500kg, distant actuation. The turntable and the tested equipment are environmentally protected.
Antenna Mast:		1 to 4 meter
Supply Voltages:		220VAC, 3 Phases, 16A from each phase; 110VAC, 3 Phases, 32A from each phase; up to 50VDC, 30A max
Shielded room:		6.2 X 4.5 X 2.5m semi-anechoic shielded room, including indoor turntable.

7. List of Equipment used in Test.

No.	Description	Manufacturer and Model Number	Series No.	Cal. Date
1.	Electro-magnetic Field meter	Chauvin-Arnoux C.A 43	US4111027	31.7.17

8. Test results.

	MommySafe™			
	900MHz	1.8GHz	2.1GHz	2.4GHz
No Cover	5.1 V/M	15.3 V/M	18.4 V/M	24.4 V/M
	6.6 μW/cm²	62.1 μW/cm²	91.1 μW/cm²	158.6 μW/cm²
With the MommySafe™	0.4 V/M	0.9 V/M	0.2 V/M	0.2 V/M
	0 μW/cm²	0.2 μW/cm²	0 μW/cm²	0 μW/cm²

	<u>Power cord</u> <u>230V</u> <u>50Hz</u>
No Cover	1.4 V/M
	0.7 μW/cm²
With the MommySafe™	1V/M
	0.4 μW/cm²

9. Conclusion.

- 9.1.** The electro-magnetic field strength attenuation of the MommySafe™ is up to 99%.

- 9.2.** The electro-magnetic field Density attenuation of the MommySafe™ is up to 100%.